

WATER HEATER STRAP DETAIL

2018 UPC

<p>Clark County Dept. of Building & Fire Prevention 4701 W Russell Rd Las Vegas, NV 89118 (702) 455-3000</p>	<p>Boulder City Building Department 401 California Avenue Boulder City, NV 89005 (702) 293-9282</p>	<p>Henderson Bldg & Fire Safety Department 240 Water Street Henderson, NV 89015 (702) 267-3650</p>	<p>Las Vegas Building & Safety Dept. 333 N. Rancho Drive Las Vegas, NV 89106 (702) 229-6251</p>
---	--	---	--

GENERAL NOTES:

SECTION 507.2 OF THE UNIFORM PLUMBING CODE REQUIRES THAT WATER HEATERS BE ANCHORED OR STRAPPED TO RESIST HORIZONTAL DISPLACEMENT DUE TO EARTHQUAKE MOTION.

THIS CAN BE ACCOMPLISHED BY INSTALLING ANY OF THE OVER-THE-COUNTER PRODUCTS ESPECIALLY MADE FOR RESTRAINING WATER HEATERS. FASTEN THE STRAP IN ACCORDANCE WITH THE MANUFACTURER'S INSTALLATION INSTRUCTIONS.

ALTERNATIVELY, YOU CAN MAKE YOUR OWN OUT OF HEAVY-DUTY METAL STRAP MATERIAL. STRAPS SHALL BE 22 GAUGE, 2" WIDE, MINIMUM. FASTEN THE STRAP TO THE STRUCTURE, USING WOOD SCREWS NOT LESS THAN 1/4" DIAMETER WITH A MINIMUM PENETRATION OF 1-1/2" INTO A WOOD STUD WALL, WITH A WASHER BETWEEN THE HEAD OF THE SCREW AND THE RESTRAINT.

IT IS REQUIRED THAT AT LEAST TWO RESTRAINTS ARE USED, WITH ONE IN THE UPPER ONE-THIRD AND ONE IN THE LOWER ONE-THIRD OF THE WATER HEATER.

RESTRAINT INSTALLED WITHIN UPPER ONE-THIRD OF WATER HEATER

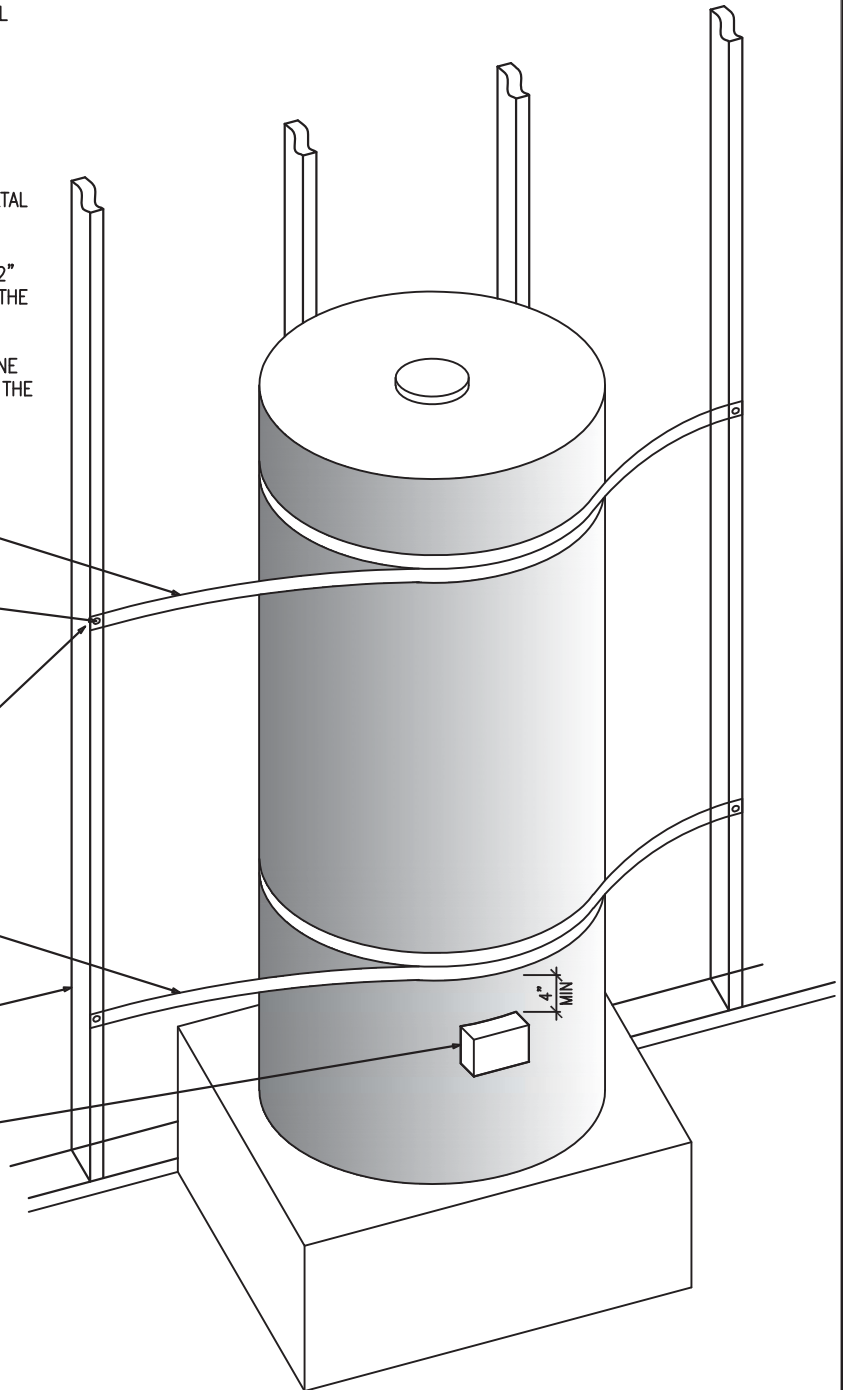
DRILL PILOT HOLES ON CENTER LINE OF STUD, INSERT SCREWS w/ WASHERS THROUGH PUNCHED HOLES IN STRAP

SCREWS TO BE MINIMUM 1/4" DIAMETER WITH MINIMUM 1-1/2" PENETRATION INTO FRAMING.

RESTRAINT INSTALLED WITHIN LOWER ONE-THIRD OF WATER HEATER AND A MINIMUM OF 4" ABOVE CONTROLS

WALL STUD

CONTROL UNIT



<p>Mesquite Building Department 10 East Mesquite Blvd. Mesquite, NV 89027 (702) 346-2835</p>	<p>North Las Vegas Building & Fire Safety 2250 Las Vegas Blvd. N N. Las Vegas, NV 89030 (702) 633-1577</p>	<p>Pahrump Building & Fire Safety Dept. 250 N Hwy 160 Suite #3 Pahrump, NV 89060 (775) 751-3373</p>	<p>Clark County School District Building Department 1180 Military Tribute Place Henderson, NV 89074 (702) 799-7605</p>
---	---	--	---